

CENTURION™ EXCEL

EMERGENCY SURGERY LIGHT

The CENTURION eXcel EMERGENCY SURGERY LIGHT incorporates all of the fine features of the CENTURION eXcel series, with an emergency battery back-up system. This provides over 2 hours of uninterrupted light output, should a power outage occur.

An internal power control system of excellent components, ensures light for the surgery, in the most adverse electrical conditions.

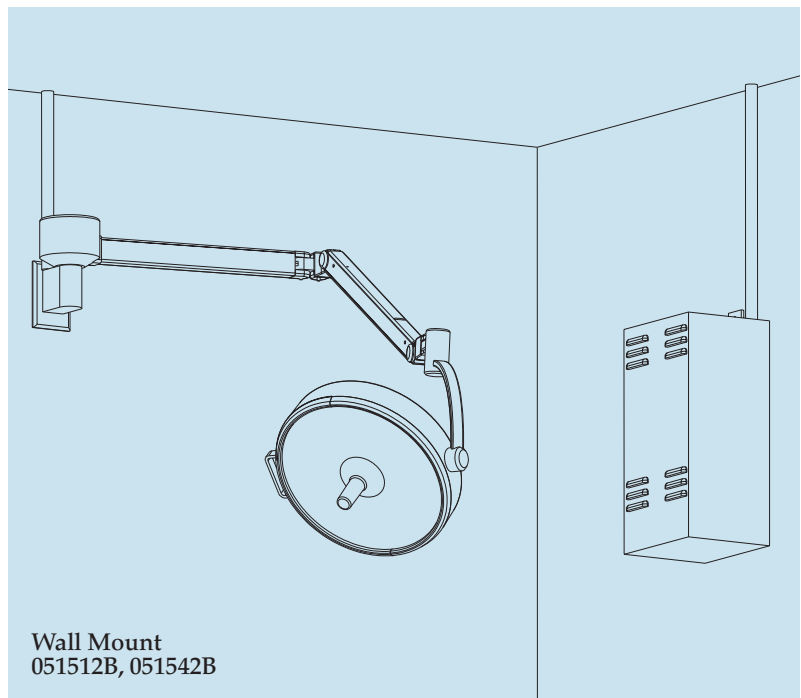
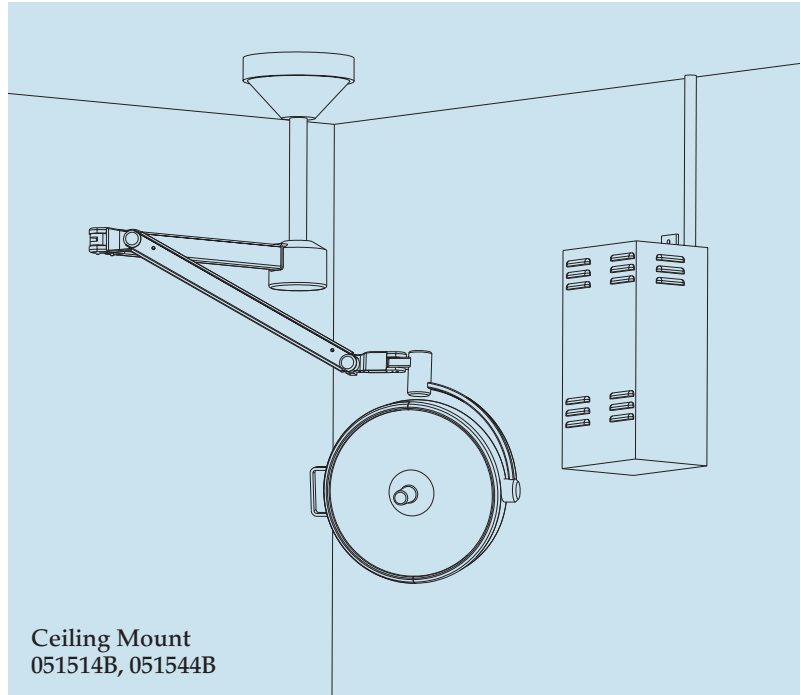
CENTURION eXcel is offered in a portable model, as well as a wall mount model and a single ceiling mount model, for permanent installations.



Floor Model
051513B, 051543B

SPECIFICATIONS

- 6,000 foot candles (64,500 lux) output at 1 meter with 4000° Kelvin color temperature
- Power supply circuitry, battery and charging system are fully contained in a steel enclosure 19" (483 mm) wide x 7.5" (191 mm) high. The enclosure serves as the base for the lighting fixture and a 1.75" (44 mm) diameter upright tube for floor models
- Four casters, two with locking mechanisms, allow easy mobility
- Multiple power inputs include: 115 VAC 50/60 Hz or 230 VAC 50/60 Hz
- Operating voltage range 110-125 VAC or 220-250 VAC
- A lead/acid battery supplies back up power. An automatic switching device is incorporated for battery operation in the event of power failure
- Output of circuitry is 12 VDC, 8.0 Amp to power a 12 Volt 90 Watt halogen bulb
- Battery is sufficient to power the 12 Volt 90 Watt bulb for a minimum of two hours
- The battery charges while plugged into an AC outlet, and is fully charged within 8 hours. The charging system incorporates a mechanism which prevents overcharging of the battery
- UL Classified (see complete marking on product)
- CE



ANOTHER OUTSTANDING LINE OF EQUIPMENT FROM MEDICAL ILLUMINATION

**MEDICAL
ILLUMINATION**
INTERNATIONAL
WHERE ILLUMINATION IS DEFINED

547 Library Street San Fernando, CA 91340 USA
(818) 838-3025 (800) 831-1222 (USA)
fax (818) 838-3725
website www.medillum.com


MANUFACTURED
IN THE USA

Specifications subject to change without notice