

FOR MODELS:

011111, 011112, 012011, 012012
011141, 011142, 012041, 012042

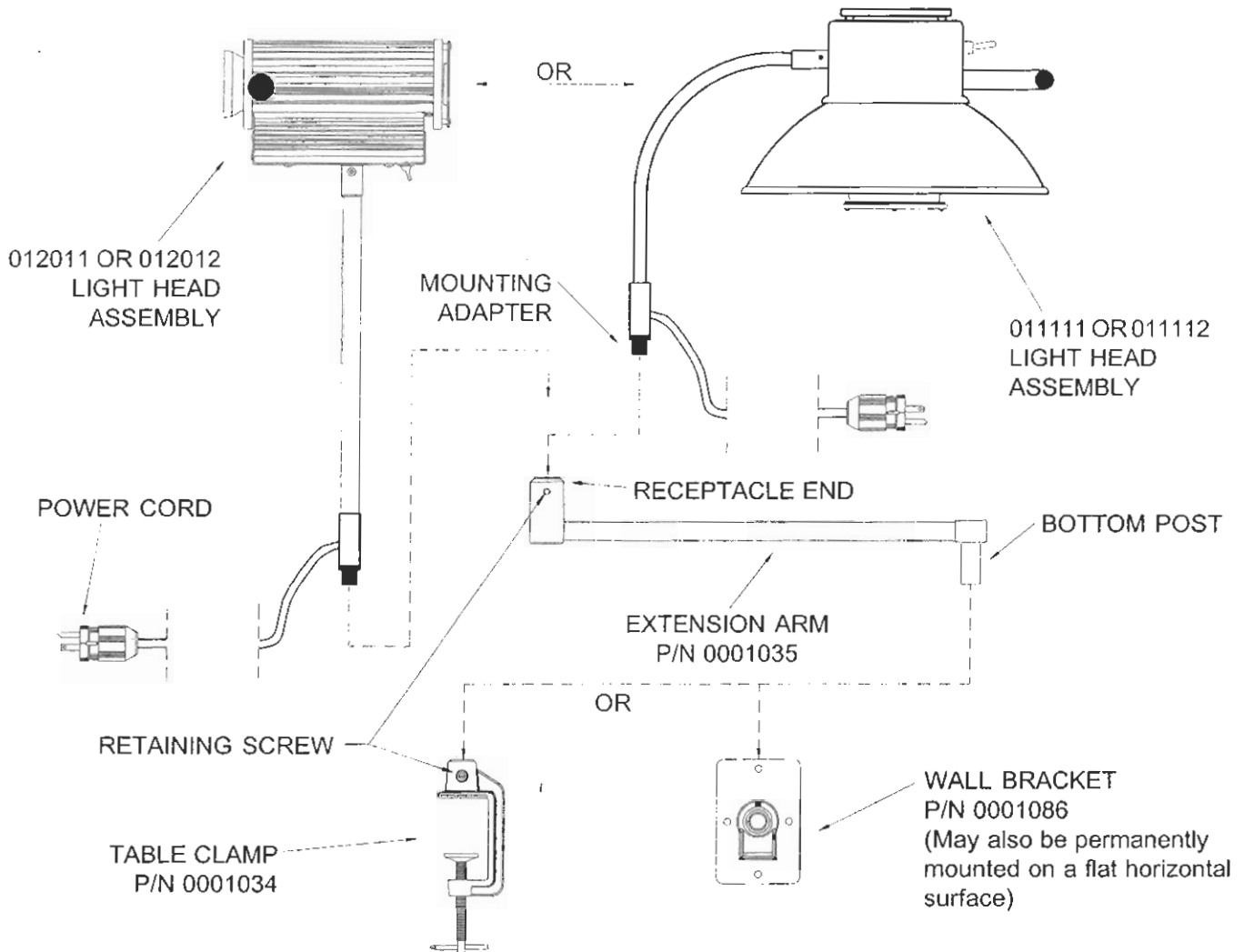


Table Top Mounting: Select desired position of table or edge of shelf and fasten table clamp securely with crank.

Wall Bracket Mounting: Select desired position on wall (or solid horizontal surface, if desired) and fasten with 4 lag screws or bolts.

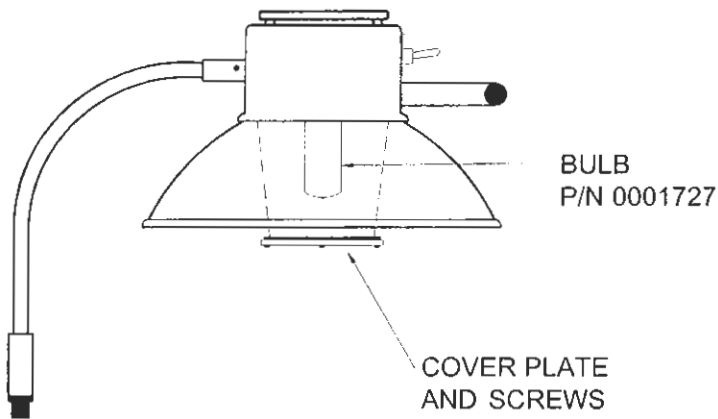
CAUTION: Be sure to use screws or bolts adequate to support light properly.

Assemble the light and extension arm to your mounting as follows:

1. Set bottom post of extension arm into Table Clamp or Wall Bracket and tighten retaining screw, to secure the post. You may wish to leave it slightly loose, so the extension arm can rotate.
2. Insert the mounting adapter into the receptacle at the end of the extension arm and tighten the retaining screw. Do not over tighten.
3. Connect power cord to grounded electrical outlet. Light is now ready for use.

BULB REPLACEMENT FOR MODELS 011111, 011112, 011141, 011142

1. Turn power off, unplug cord, and wait approximately 30 minutes until bulb cools.
2. Remove two of the three screws in cover plate over bulb.
3. Slightly loosen the third remaining screw and rotate the cover plate to gain access to bulb.
4. Remove bulb and replace (use part number 0001727).
5. Rotate cover plate back to original position and reinstall screws.



CAUTION

DO NOT OPERATE LIGHT IF GLASS CYLINDER IS REMOVED OR APPEARS CRACKED, CHIPPED, OR DAMAGED. SERIOUS BURNS MAY RESULT TO YOUR PATIENT IF LIGHT IS USED WITHOUT THE GLASS CYLINDER. CONTACT YOUR DEALER OR FACTORY IMMEDIATELY.

BULB REPLACEMENT FOR MODELS 012011, 012012, 012041, 012042

1. Turn power off, unplug cord, and wait approximately 30 minutes until bulb cools.
2. Remove three screws in back plate.
3. Pull socket and bulb out of housing. Replace bulb (use part number 0000120).
4. Reassemble in reverse order.

