

MEDICAL ILLUMINATION

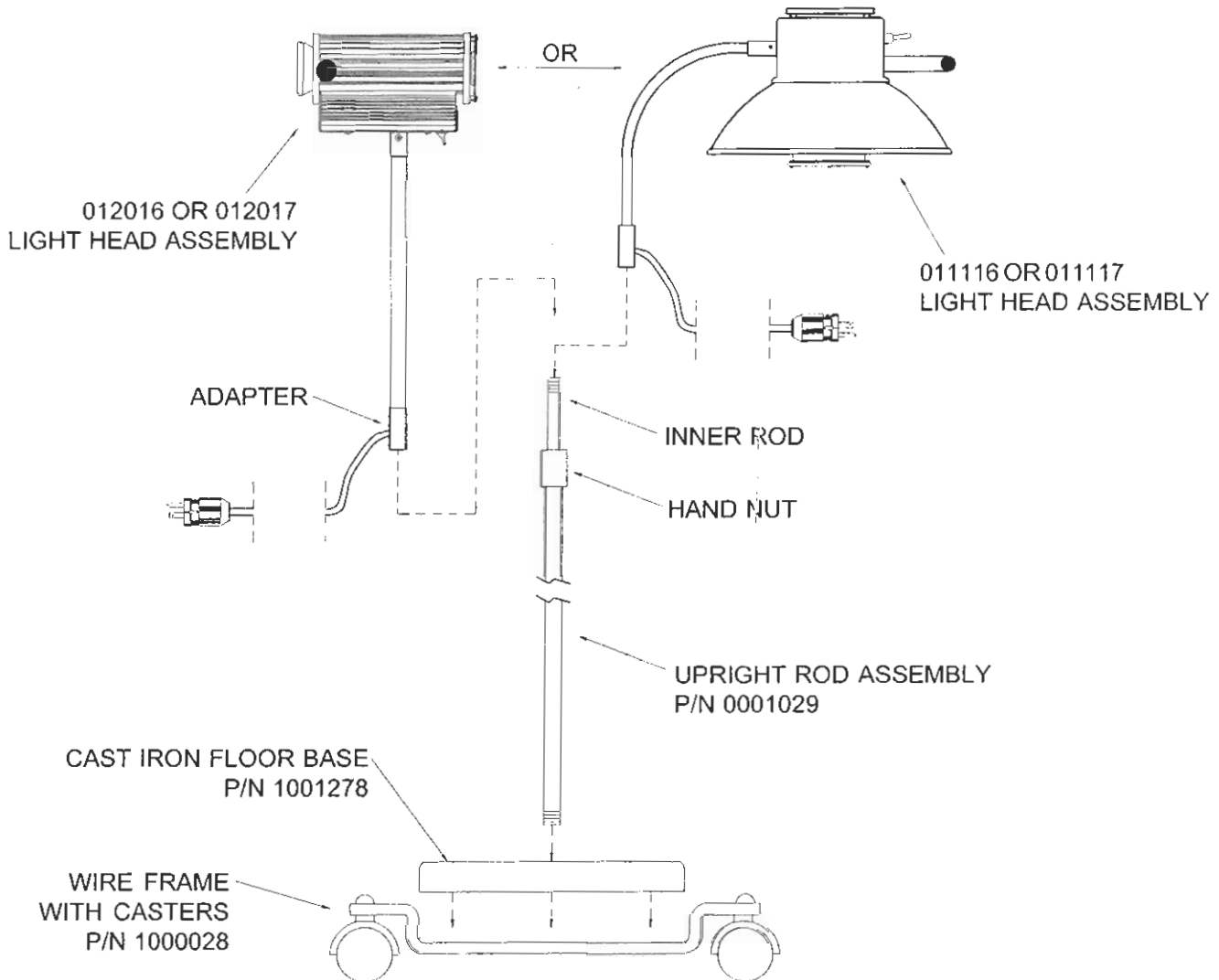
INTERNATIONAL INC.

547 Library Street • San Fernando, CA 91340 U.S.A.
Phone: (818) 838-3025 • Fax: (818) 838-3725

ASSEMBLY INSTRUCTIONS

FOR MODELS:

011116, 011117, 012016, 012017
011146, 011147, 012046, 012047

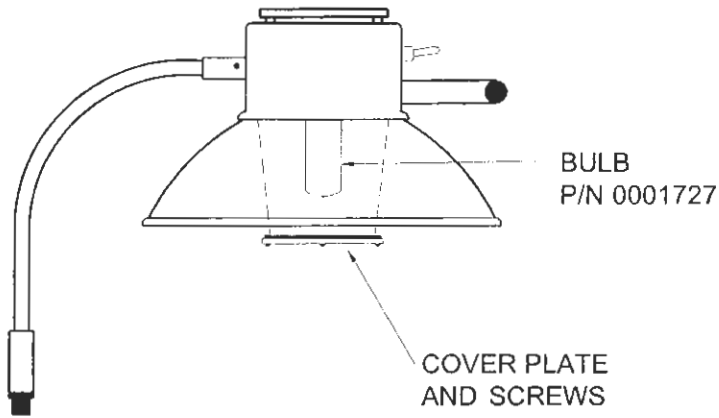


1. Snap cast iron floor base down into wire frame with casters (models 011117 and 012017).
2. Screw large end of upright rod assembly down into cast iron floor base.
3. Loosen hand nut on upright rod assembly and pull inner rod up.
4. Hold light head assembly above upright rod assembly and screw inner rod into bottom of adapter.
5. Adjust light head assembly to desired height and then tighten hand nut.

IF YOU HAVE ANY QUESTIONS REGARDING THESE INSTRUCTIONS, FURTHER INFORMATION IS AVAILABLE BY CALLING OUR SERVICE DEPARTMENT AT (818) 838-3025

BULB REPLACEMENT FOR MODELS 011116, 011117, 011146, 011147

1. Turn power off, unplug cord, and wait approximately 30 minutes until bulb cools.
2. Remove two of the three screws in cover plate over bulb.
3. Slightly loosen the third remaining screw and rotate the cover plate to gain access to bulb.
4. Remove bulb and replace (use part number 0001727).
5. Rotate cover plate back to original position and reinstall screws.



CAUTION

DO NOT OPERATE LIGHT IF GLASS CYLINDER IS REMOVED OR APPEARS CRACKED, CHIPPED, OR DAMAGED. SERIOUS BURNS MAY RESULT TO YOUR PATIENT IF LIGHT IS USED WITHOUT THE GLASS CYLINDER. CONTACT YOUR DEALER OR FACTORY IMMEDIATELY.

BULB REPLACEMENT FOR MODELS 012016, 012017, 012046, 012047

1. Turn power off, unplug cord, and wait approximately 30 minutes until bulb cools.
2. Remove three screws in back plate.
3. Pull socket and bulb out of housing. Replace bulb (use part number 0000120).
4. Reassemble in reverse order.

