

# MEDICAL ILLUMINATION

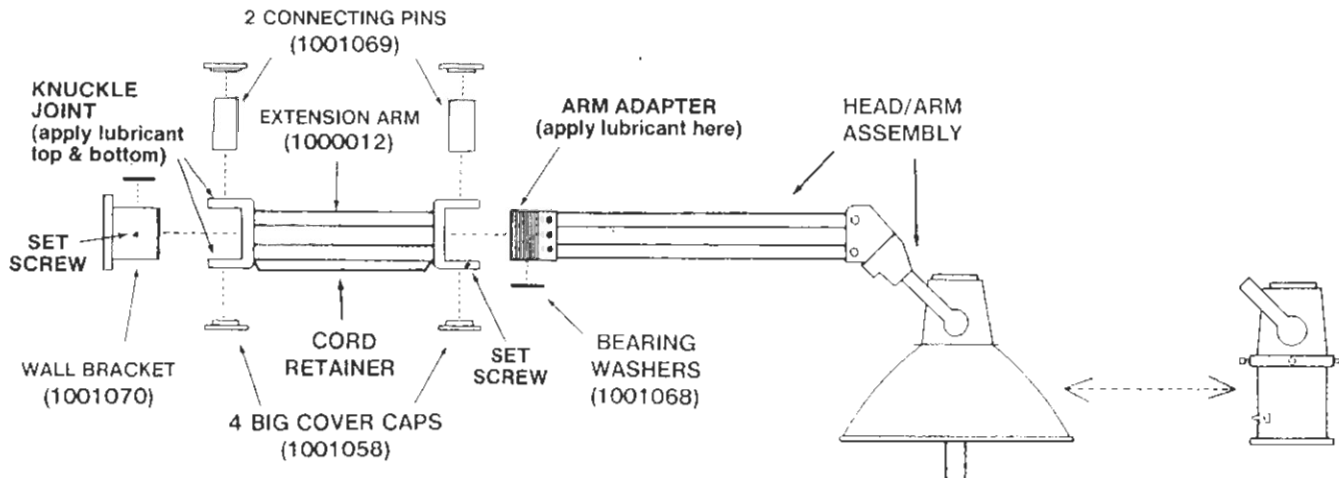
INTERNATIONAL INC.

547 Library Street • San Fernando, CA 91340 U.S.A.  
Phone: (818) 838-3025 • Fax: (818) 838-3725

## ASSEMBLY INSTRUCTIONS FOR WALL MOUNT LIGHTS

MODELS:

011312, 012412, 011342



### GENERAL INFORMATION

The shipping carton contains a head and arm assembly with hospital grade plug, one extension arm, 2 connecting pins, 4 cover caps, 2 bearing washers, 1 wall bracket, and one tube of lubricant. (Fasteners for attaching wall bracket to wall are not supplied.)

**CAUTION:** WHEN REMOVING PARTS FROM THE SHIPPING CARTON, BE CAREFUL NOT TO DENT THE REFLECTORS OR BREAK ANY GLASSWARE. **IMPORTANT:** THOROUGHLY CHECK EACH BOX FOR PARTS IN VARIOUS AREAS OF THE BOX THAT MAY NOT BE AS NOTICEABLE AS OTHERS.

### ASSEMBLY:

- A. Attach wall bracket to wall in desired location using minimum  $\frac{1}{4}$ " - 20x2 $\frac{1}{2}$ " bolts (not provided).
- B. Lay one bearing washer on top of wall bracket-centered over large hole (for bearing support of extension arm in next step).
- C. One end of extension arm has a set screw in the knuckle joint. Apply a thin film of enclosed lubricant to the inside of the knuckle joint at the opposite end (see diagram).
- D. Attach extension arm to wall bracket using connecting pin (be sure to drop pin into position from the top of extension arm, so that flanges on the pin will retain pin from falling out).
- E. Tighten socket set screw in wall bracket securely against connecting pin.
- F. Insert cover caps into top and bottom of pin, to cover holes.
- G. Lay one bearing washer on bottom "loop" of extension arm knuckle joint (for bearing support of head & arm assembly in next step).
- H. Apply thin film of the enclosed lubricant to the inside surface of the arm adapter (see diagram).
- I. Attach light head & arm assembly to extension arm using a connecting pin (be sure to drop into position from above, so that flanges on the pin will retain pin from falling out).
- J. Tighten set screw in knuckle joint of extension arm securely against connecting pin and insert cover caps into top & bottom of pin, to cover holes.
- K. Push cord into the cord-retaining strip on underside of extension arm, leaving enough slack between light arm and extension arm for positioning flexibility.
- L. Plug light into approved receptacle.

**NOTE:** IT IS ALSO POSSIBLE FOR THIS LIGHT ASSEMBLY TO BE WIRED INTO THE POWER SUPPLY PERMANENTLY. TO DO THIS, THE WALL BRACKET MUST FIRST BE MOUNTED OVER A JUNCTION BOX. THE CORD CAN BE INSERTED IN A  $\frac{1}{4}$ " HOLE IN THE WALL BRACKET & CONNECTED INTO THE POWER SUPPLY.

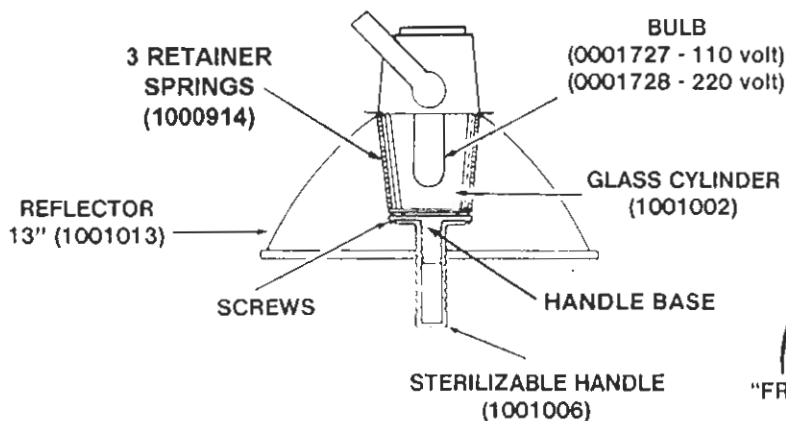


FIGURE 1

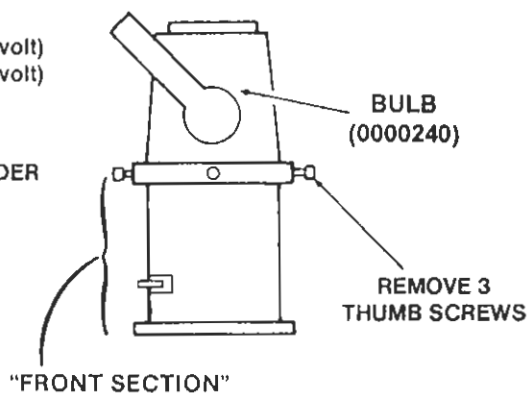


FIGURE 2

### **CAUTION**

DO NOT OPERATE LIGHT IF GLASS CYLINDER IS REMOVED OR APPEARS CRACKED, CHIPPED OR DAMAGED. SERIOUS BURNS MAY RESULT TO YOUR PATIENT IF LIGHT IS USED WITHOUT THE GLASS CYLINDER. CONTACT YOUR DEALER OR FACTORY IMMEDIATELY.

#### **BULB REPLACEMENT FOR REFLECTOR LIGHTS**

- a. Turn power off and allow the bulb to cool for 30 minutes.
- b. Remove the sterilizable handle.
- c. Remove two of the screws inside the handle base (see figure 1).
- d. Loosen the remaining screw and rotate the handle base to gain access to the bulb.
- e. Replace the bulb. Be sure to use the correct bulb replacement (Medical Illumination part # 0001727-110 volt, # 0001728-220 volt).
- f. Replace handle base and tighten screws.
- g. Replace sterilizable handle.

#### **BULB REPLACEMENT FOR MEDI-SPOT LIGHTS**

- a. Turn off the power and allow bulb to cool for 30 minutes.
- b. While securely holding the front section, remove the 3 thumb screws from the exterior of light (see figure 2).
- c. Remove the front section of light to expose the lamp.
- d. Replace bulb being careful NOT to touch the center of the new bulb with bare hands. This could drastically shorten the bulb's life. Be sure to use correct bulb (Medical Illumination part # 0000240).
- e. Replace front section and thumb screws.

IF YOU HAVE ANY QUESTIONS REGARDING THESE INSTRUCTIONS, YOU MAY OBTAIN FURTHER INFORMATION BY CALLING OUR SERVICE DEPARTMENT AT (818) 838-3025

P/N 1003012, 9/04