

MEDICAL ILLUMINATION

INTERNATIONAL INC.

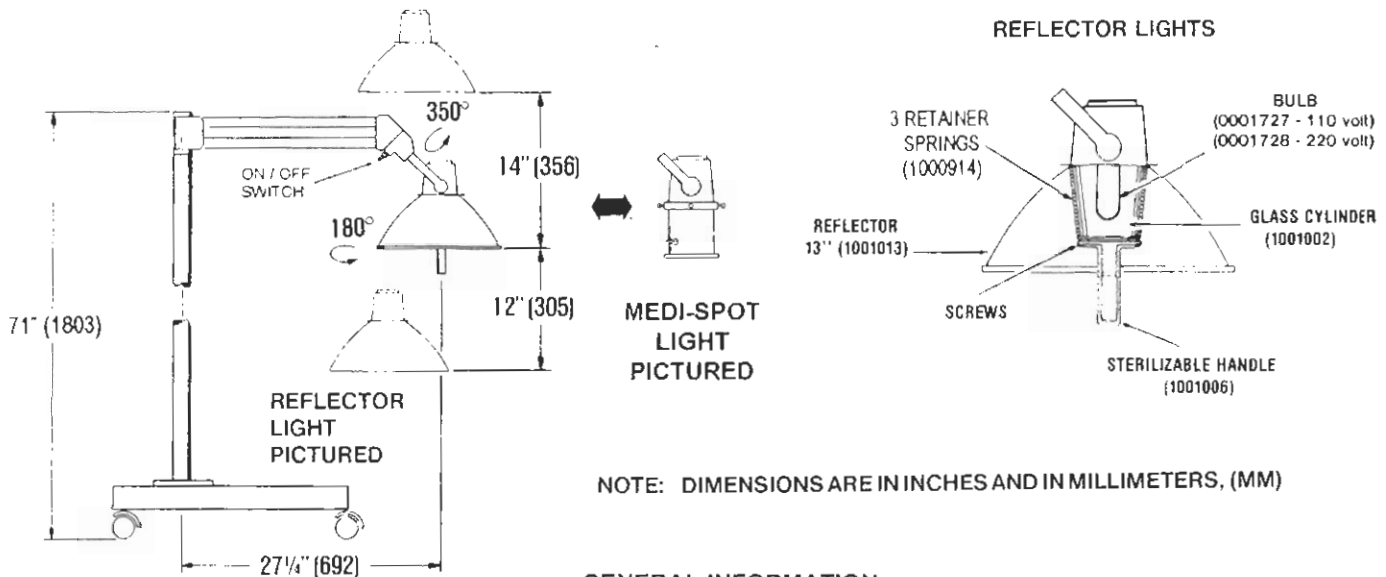
547 Library Street • San Fernando, CA 91340 U.S.A.
Phone: (818) 838-3025 • Fax: (818) 838-3725

ASSEMBLY INSTRUCTIONS

FOR FLOOR LIGHTS

MODELS:

011313, 012413, 011343



NOTE: DIMENSIONS ARE IN INCHES AND IN MILLIMETERS, (MM)

GENERAL INFORMATION

The shipping carton contains a head and arm assembly with hospital grade plug attached, floor base casting, 2 legs with casters, leg caps, bolts, lockwashers and cap for upright pole. A separate carton contains the upright pole.

CAUTION: WHEN REMOVING PARTS FROM THE SHIPPING CARTON, BE CAREFUL NOT TO DENT THE REFLECTOR OR BREAK ANY GLASSWARE. **IMPORTANT:** THOROUGHLY CHECK EACH BOX FOR PARTS IN VARIOUS AREAS OF THE BOX THAT MAY NOT BE AS NOTICEABLE AS OTHERS.

ASSEMBLY

- Bolt assembled legs onto cast iron base, positioning bolt on base to rear. (See figure 1 and 2)
- Attach upright pole to the assembled floor base as shown in Figure 2.
- Place head and arm assembly on the assembled upright floor base. Position the light over the extended legs of the floor base. Securely tighten the bolt in the base against the upright pole to lock the pole into place.
- Level the base by adjusting the caster bolts and nuts at the end of each leg. (See Figure 3) Once the base has been leveled, tighten the nuts securely and insert the leg cap at the end of each leg.
- Press the plastic cap into the top of the upright pole.

CLEANING

- Turn off power at the on/off switch and keep the switch in the off position.
- Allow the unit to cool down for a minimum of 30 minutes until all of the parts are cool to the touch.
- The outside surfaces of the arm assembly and light head can be cleaned with a mild soap and water solution applied with a soft damp cloth. **DO NOT** allow any moisture to seep into the internal areas of the arm assembly or the light head.
- The internal reflective surface of the Medi-Lite can be cleaned with 70% alcohol water solution or a commercial glass cleaner applied with a soft damp non scratching cloth. **DO NOT** allow any moisture to seep into the internal areas of the light head.
- The glass lens of the Medi-Spot can be cleaned with 70% alcohol water solution or a commercial glass cleaner applied with a soft damp non scratching cloth. **DO NOT** allow any moisture to seep into the internal areas of the light head.

HANDLE STERILIZATION

To remove the sterilizable handle (Optional for Medi-Lite) grasp the handle and turn it counter-clockwise to unscrew it from the handle base. Sterilize the handle utilizing steam sterilization of minimum 250° Fahrenheit for a minimum of 30 minutes in compliance with AAMI SSSA-1988: Good Hospital Practices, Steam Sterilization and Sterility Assurance, or equivalent method.

IF YOU HAVE ANY QUESTIONS REGARDING THESE INSTRUCTIONS, YOU MAY OBTAIN FURTHER INFORMATION BY CALLING OUR SERVICE DEPARTMENT AT (818) 838-3025

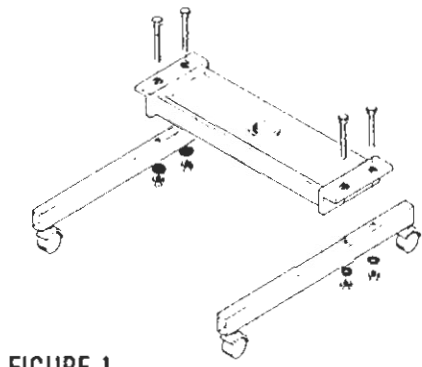
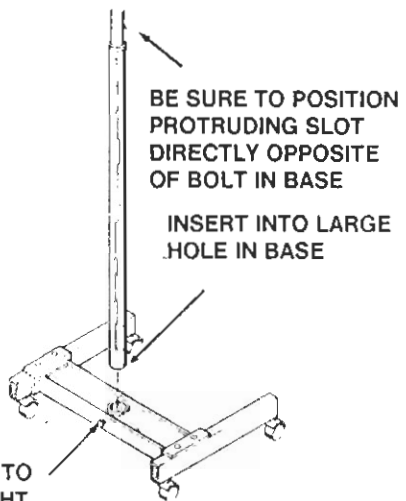


FIGURE 1



TIGHTEN BOLT TO SECURE UPRIGHT POLE

FIGURE 2

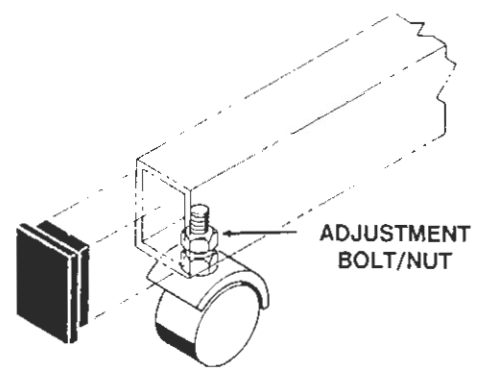


FIGURE 3

BULB REPLACEMENT FOR REFLECTOR LIGHTS

- a. Turn power off and allow the bulb to cool for 30 minutes.
- b. Remove the sterilizable handle.
- c. Remove 2 of the 3 screws in the handle base (see figure 4).
- d. Loosen the remaining screw and rotate the handle base to gain access to the bulb.
- e. Replace the bulb, use Medical Illumination part # 0001727 - 110 volt, # 0001728 - 220 volt.
- f. Replace handle base and tighten screws.
- g. Replace sterilizable handle.

CAUTION
 DO NOT OPERATE LIGHT IF GLASS CYLINDER IS REMOVED OR APPEARS CRACKED, CHIPPED OR DAMAGED. SERIOUS BURNS MAY RESULT TO YOUR PATIENT IF LIGHT IS USED WITHOUT THE GLASS CYLINDER. CONTACT YOUR DEALER OR FACTORY IMMEDIATELY.

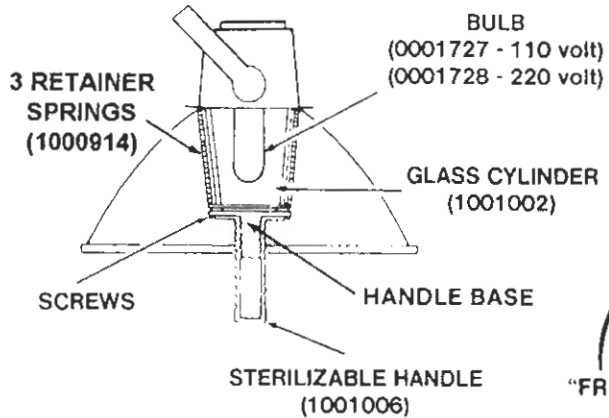


FIGURE 4

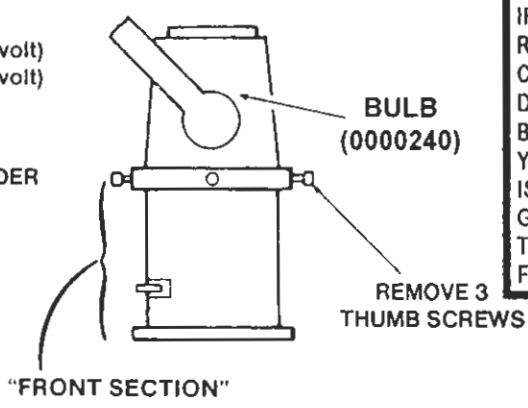


FIGURE 5

BULB REPLACEMENT FOR MEDI-SPOT LIGHTS

- a. Turn off the power and allow bulb to cool for 30 minutes.
- b. While securely holding the front section, remove the 3 thumb screws from the exterior of the light (see figure 5).
- c. Remove the front section of the light to expose the lamp.
- d. Replace lamp P/N #0000240 being careful NOT to touch the center of the new bulb with bare hands. This could drastically shorten the bulb's life.
- e. Replace front section and thumb screws.

P/N 1003011 , 9/04