

Figure 1

NOTES: Longer ceiling rods for higher ceilings are available by special order.
 Dimensions are in inches and in millimeters (mm).

GENERAL INFORMATION

The shipping carton contains a head and arm assembly, an extension arm assembly, a ceiling casting, a casting cover, a ceiling rod assembly, and a hardware kit.
 NOTE: There are two shipping cartons for double head models 011315, 012415, and 014315. The second carton contains only the additional head and arm assembly and extension arm assembly.

IMPORTANT

Be careful not to damage items (e.g. reflector, glassware) as they are removed from the shipping carton. Thoroughly check for **all** items while unpacking the carton.

PRE INSTALLATION CHECK

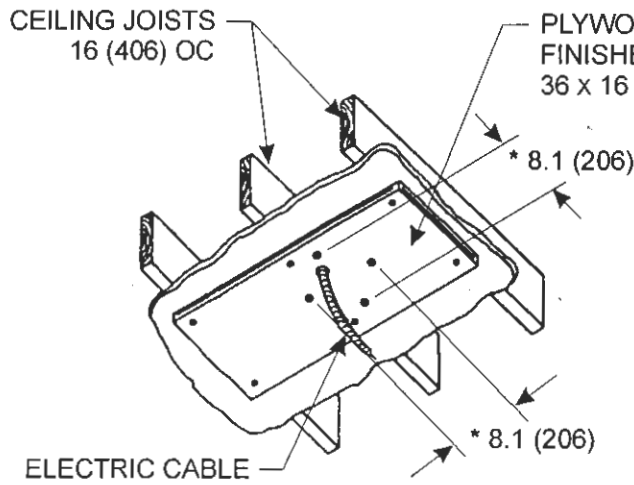
IMPORTANT NOTE: Installation and repair of this equipment should be performed by qualified personnel only. Medical Illumination does not warranty any damage occurring as a result of improper installation.

Before installation, check to insure the following conditions and connections are provided:

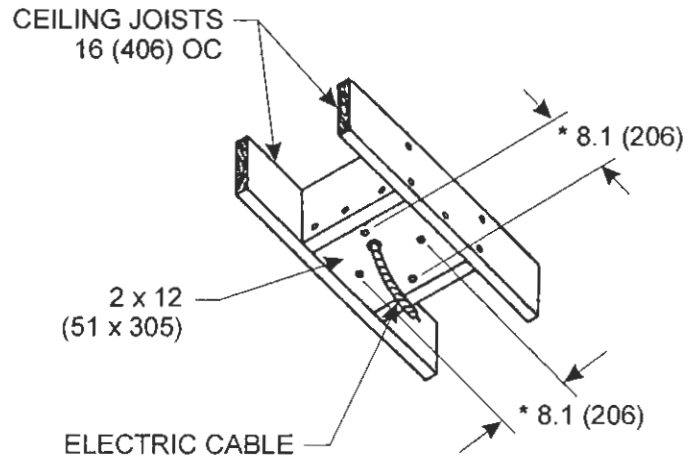
- The structural ceiling mount must meet the specifications of the architectural plans or suggested structural mounting shown in Figure 2. The mounting surface must be level.
- The mounting bolts used must support a minimum of 100 pounds each.
- (See Figure 3) The power supply line, not provided by Medical Illumination, must be long enough to reach two inches past the bottom of the supplied Ceiling Rod with the following specifications:
 110-120 VAC LIGHTS - 110-120 VAC, 50/60 Hz, 1 ϕ , three wire, and capable of supplying 600W at 6A.
 220-240 VAC LIGHTS (Medi-Lites Only) - 220-240 VAC, 50/60 Hz, 1 ϕ , three wire, and capable of supplying 600W at 3A.
- The power supply line must be routed and wired to the light in compliance with all existing codes.
- Check the length of the rod supplied and make sure it is the proper length to install and operate the light without interference or over reach.

IMPORTANT NOTE: If this equipment is to be installed in a facility that cannot have wood in the ceiling structure due to fire hazard concerns or building code restrictions, use the appropriate size and type of structural steel shape and plate in place of wood indicated in Figure 2. The installation must be capable of supporting a vertical load of at least 100 pounds and an off center moment of 300 foot-pounds. Use steel reinforcement ties if required, along with the steel beams to properly anchor the equipment.

NOTE:
Materials shown, other than Ceiling Casting, are suggestions only; they are not available from Medical Illumination.

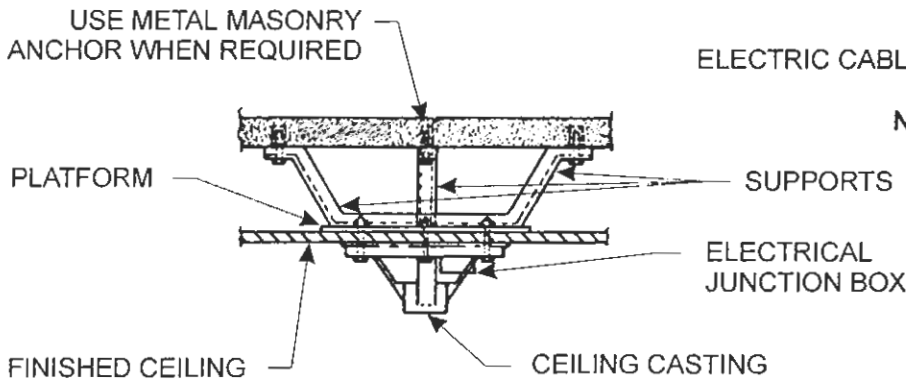


EXISTING CONSTRUCTION



NEW CONSTRUCTION

Figure 2



SUGGESTED SUSPENSION CEILING CONSTRUCTION

NOTES:
Dimensions are in inches.
Dimensions in parenthesis are in millimeters.
* Indicates ceiling casting mounting dimensions

IMPORTANT

All wiring must conform to local codes (see Figure 3).

110-120 VAC, 50/60 Hz, 1 ϕ
(220-240 VAC, 50/60 Hz, 1 ϕ
Medi-Lites Only)

INSTALLATION

1. Prior to installation, the Ceiling Rod Assembly must be fully disassembled in accordance with Figure 6.
2. Insert the Ceiling Rod through the Ceiling Casting to the Flanged Stops at the end of the rod (see Figure 5). Tighten one of the two Ceiling Casting set screws with the hex key provided.

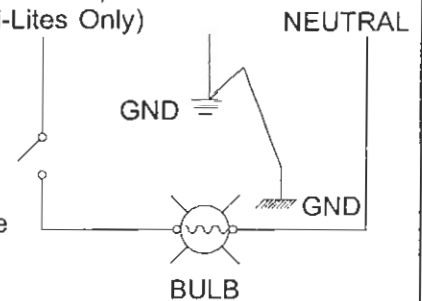


Figure 3

WARNING

Improper fastening of the ceiling casting can cause serious injury and/or property damage. Make certain the installation is capable of supporting a load of at least 100 pounds and an off center moment of 300 ft - lbs.

- Fasten the ceiling casting to the desired location using four 1/4" - 20 x 3" bolts (minimum) with washers (not provided). **NOTE: The ceiling rod must be plumb. Shim the casting if necessary.** (See Figure 4 for mounting dimensions.) **NOTE: The ceiling casting itself must be electrically grounded to maintain proper grounding reliability.** This can be done by mounting the casting to a suitable material that will function as a ground conductor, or a wire lead must be attached to the ground screw on the casting, then routed to proper ground.

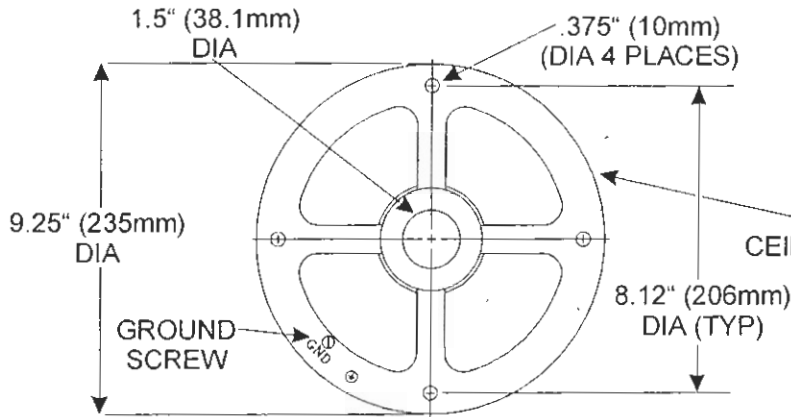


Figure 4

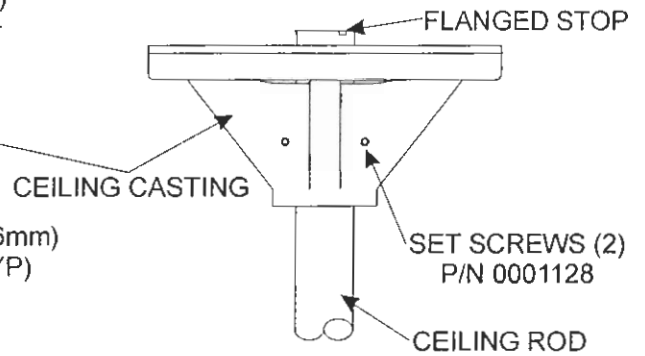


Figure 5

- Run the power supply line (not provided by Medical Illumination) from a junction box (see Figure 2), down through and two inches past the end of the Ceiling Rod. **IMPORTANT: To achieve proper grounding reliability, the green ground wire MUST be properly fastened to the grounding screw located on the Ceiling Casting (see Figure 4).** Make all electrical connections in compliance with electrical codes.
- Slide the Casting Cover onto the Ceiling Rod, and temporarily secure with a collar (see Figure 1).

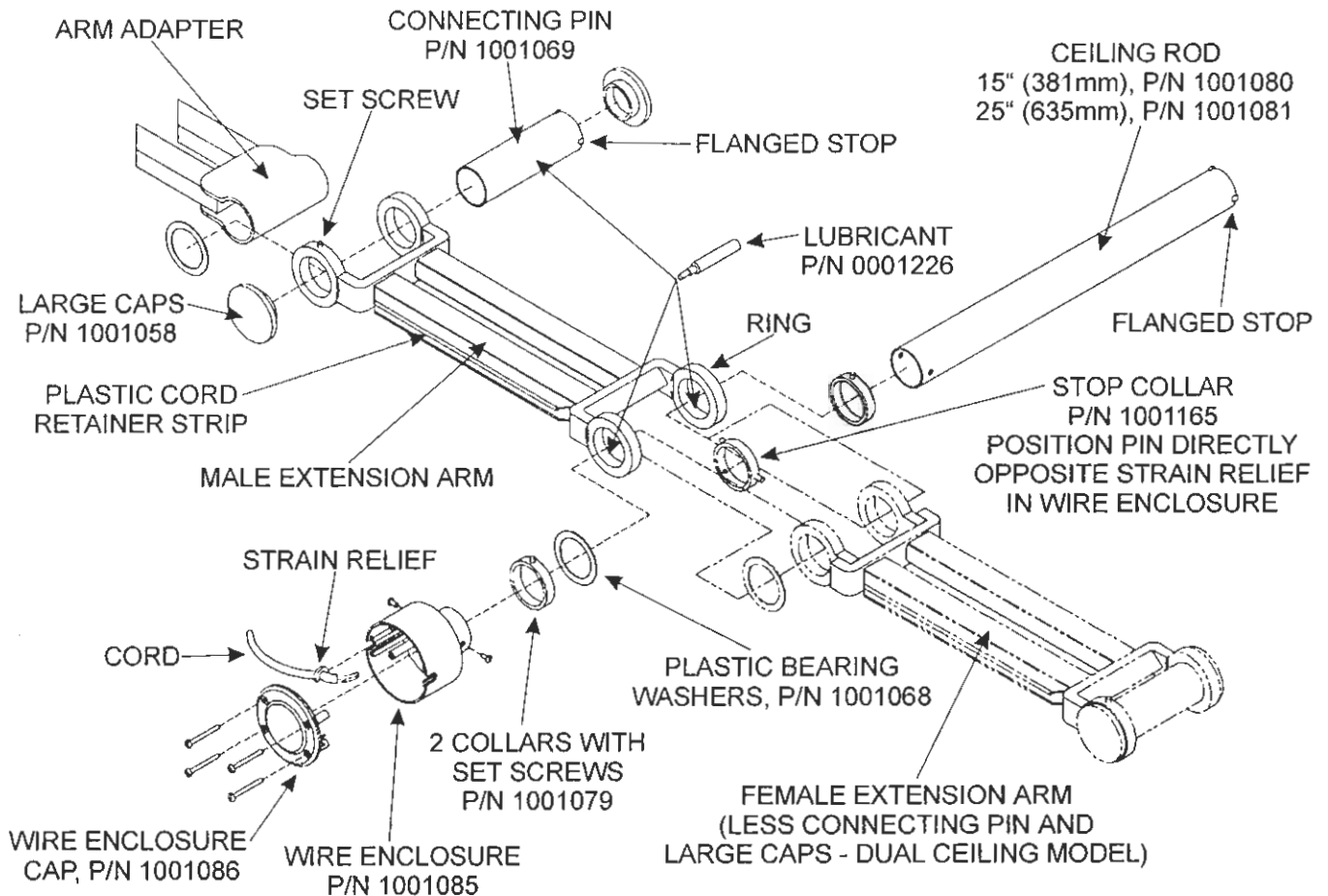


Figure 6

6. **NOTE:** One end of the Extension Arm contains a set screw (see Figure 6). The end of the Extension Arm **without** a set screw will slide onto the Ceiling Rod.

(See Figures 1 and 6) Position the extension arm with the Plastic Cord Retainer Strip pointing down. Apply a thin film of the enclosed lubricant to the inner surfaces of the Extension Arm Rings. Place the Stop Collar between the Extension Arm Rings and then slide both onto the Ceiling Rod. Position the Stop Pin on the Stop Collar directly opposite the Strain Relief in the Wire Enclosure. Securely tighten the two set screws on the Stop Collar.

NOTE: (Double Head Models) Position the Female Extension Arm Rings between the Male Extension Arm Rings. Place a plastic bearing washer between the lower rings of the Male and Female Extension Arm Assembly (see Figure 6). The Stop Pin on the Stop Collar should be positioned 90° from the extension arms.

7. Slide a plastic bearing washer (to allow proper arm motion) and then the remaining collar on the Ceiling Rod. Tighten the set screw in the collar to support the Extension Arm. Insert the Wire Enclosure into the end of the Ceiling Rod and then secure it with the two screws provided (see Figure 6).
8. Apply a thin film of the lubricant to the outer surfaces of the Connecting Pin (see Figure 6).
9. (See Figures 1 and 6) Position and the Arm Adapter between the Extension Arm Rings. Place a plastic bearing washer between the Arm Adapter and the lower Extension Arm Ring.
10. (See Figures 1 and 6) Drop the Connecting Pin down into the Extension Arm Rings from above so that the Flanged Stops will prevent the pin from falling out. Securely tighten the set screw in the Extension Arm Ring against the pin. Insert the Large Caps onto the top and bottom of the pin to cover the holes.
11. Insert the electrical cord from the Head and Arm Assembly into the Plastic Cord Retainer Strip on the Extension Arm. Leave enough cord between the Head and Arm Assembly and the Extension Arm to allow the arms to rotate (see Figure 1). Thread the cord into the Wire Enclosure. Insert the Strain Relief on the cord into the slot in the Wire Enclosure (see Figure 6). Connect the wires to the power supply line already in the Wire Enclosure. All wiring connections must comply with local electric codes. Replace the Wire Enclosure Cap. Secure it with the four included screws.
12. Loosen the set screw in the collar supporting the Casting Cover. Slide the Casting Cover down. Loosen the Ceiling Casting set screw and rotate the Ceiling Rod to align the Wire Enclosure and the cord to the desired location. **CAUTION:** Securely tighten the two set screws in the Ceiling Casting.
13. Complete the installation by raising the Casting Cover to the ceiling. Secure it with the collar.

CLEANING

1. Turn power off at the on/off switch and keep the switch in the off position (see Figure 1).
2. Allow the unit to cool down for a minimum of 30 minutes, until all of the parts are cool to the touch.
3. The outside surfaces of the arm assembly and light head can be cleaned with a mild soap and water solution applied with a soft damp cloth. **DO NOT** allow any moisture to seep into the internal areas of the arm assembly or light head.
4. The internal reflective surface of the Medi-Lite can be cleaned with 70% alcohol water solution or a commercial glass cleaner applied with a soft damp non-scratching cloth. **DO NOT** allow any moisture to seep into the internal areas of the light head.
5. The glass lens of the Medi-Spot can be cleaned with 70% alcohol water solution or a commercial glass cleaner applied with a soft damp non-scratching cloth. **DO NOT** allow any moisture to seep into the internal areas of the light head.

HANDLE STERILIZATION

To remove the Sterilizable Handle (optional for Medi-Lite) grasp the handle and turn it counter-clockwise to unscrew it from the Handle Base (see Figure 7). Sterilize the handle utilizing steam sterilization of minimum 250° Fahrenheit for a minimum of 30 minutes in compliance with AAMI SSSA-1988: Good Hospital Practices, Steam Sterilization and Sterility Assurance, or equivalent method.

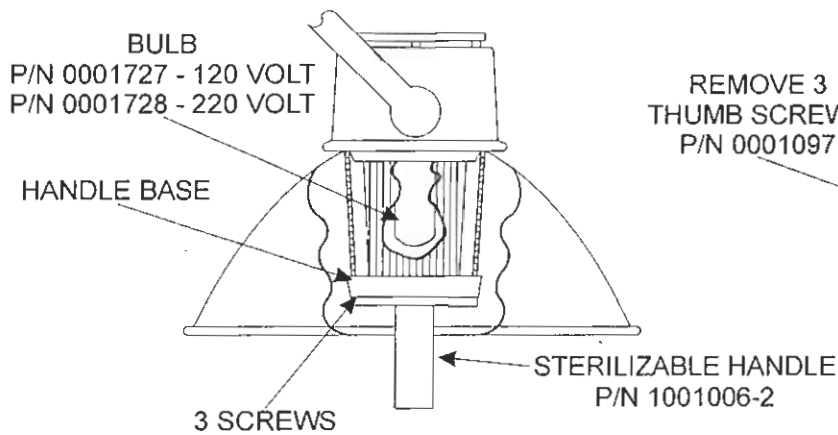


Figure 7

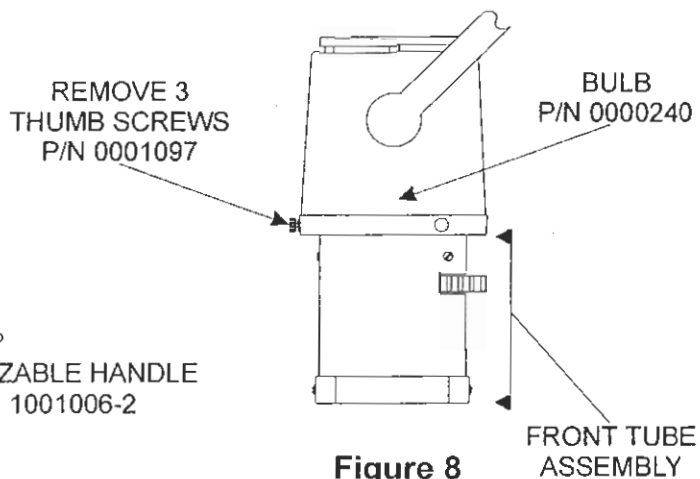


Figure 8

BULB REPLACEMENT FOR MEDI-LITE REFLECTOR LIGHT

1. Turn power off at the on/off switch and allow the unit to cool down for a minimum of 30 minutes, until all of the parts are cool to the touch.
2. Remove the Sterilizable Handle.
3. Remove two of the three screws inside the Handle Base (see Figure 7).
4. Loosen the remaining screw and rotate the Handle Base to gain access to the bulb.
5. Replace the bulb. Clean the bulb with alcohol after installation. Be sure to use the correct replacement bulb.
Medical Illumination Part Number 0001727 (120 Volt)
Medical Illumination Part Number 0001728 (220 Volt)
6. Replace Handle Base and tighten screws.
7. Replace Sterilizable Handle.

CAUTION
DO NOT OPERATE LIGHT IF GLASS CYLINDER IS REMOVED OR APPEARS CRACKED, CHIPPED, OR DAMAGED. SERIOUS BURNS MAY RESULT TO YOUR PATIENT IF LIGHT IS USED WITHOUT THE GLASS CYLINDER. CONTACT YOUR DEALER OR FACTORY IMMEDIATELY.

BULB REPLACEMENT FOR MEDI-SPOT SPOTLIGHT

1. Turn power off at the on/off switch and allow the unit to cool down for a minimum of 30 minutes, until all of the parts are cool to the touch.
2. While securely holding the Front Tube Assembly, remove the three Thumb Screws from the exterior of the light (see Figure 8).
3. Remove the Front Tube Assembly to expose the bulb.
4. Replace the bulb. Handle the bulb from the outside surface only. Avoid contact of the inner reflector or glass tube with fingers. This will avoid premature bulb failure. If contact is made, clean the bulb with alcohol after installation. Be sure to use the correct replacement bulb.
Medical Illumination Part Number 0000240
5. Replace the Front Tube Assembly and the Thumb Screws.

IMPORTANT NOTE: SAVE THESE INSTRUCTIONS; DO NOT DISCARD AFTER ASSEMBLY. KEEP THIS IN A SECURE LOCATION FOR FUTURE REFERENCE. SPECIFICATIONS SUBJECT TO CHANGE WITHOUT NOTICE.

Medical Illumination International Inc.

Lighting Equipment

Limited Warranty

Medical Illumination International, Inc. Lighting Equipment is warranted against defective material and/or workmanship, excluding normal replacement parts (e.g. bulbs or glass items), for a period of three (3) years from the date of shipment. This warranty applies exclusively to the repair or replacement of parts recognized as defective by Medical Illumination International, Inc., are in normal use, and have not been modified or repaired by unauthorized personnel. This warranty supersedes all other guarantees or warranties, expressed or implied.

In the event of a failure covered under this warranty, please take the following action:

1. Call the Medical Illumination Customer Service Department at **818) 838-3025**
 - A. Be prepared to give the model number, serial number, and full description of the failure.
 - B. Customer Service will attempt to solve the problem over the phone. If it becomes necessary to send the product to the factory for repair, Customer Service will provide a Return Authorization number. No product should be returned without a Return Authorization number.
2. Carefully package the light component (light head, arm assembly, or mount assembly) and return it, freight prepaid and insured, with the Return Authorization number clearly marked on the box, to:

Medical Illumination International, Inc.

**547 Library Street
San Fernando CA. 91340**

Damage resulting from inadequate packing is not covered by this warranty and shipping insurance does not cover damage from inadequate packing.

We recommend that the package be insured against loss or in-transit damage. Medical Illumination can not be responsible for in-transit loss or damage.

3. **DAMAGE TO THE PRODUCT RESULTING FROM TAMPERING, ACCIDENT, ABUSE, NEGLIGENCE, OR OTHER CAUSES UNRELATED TO PROBLEMS WITH MATERIAL AND/OR WORKMANSHIP, ARE NOT COVERED BY THIS WARRANTY.**
4. Warranty may be voided if equipment is found to have been installed incorrectly, resulting in equipment failure.
5. This warranty does not cover any labor costs associated with removing, re-packaging for shipment or reinstalling this product. Such costs are the responsibility of the purchaser.
6. Medical Illumination International, Inc. will evaluate the returned product, repair as appropriate, and ship the product back to you freight paid.
7. In the event non-warranty damage or failure is discovered, you will be contacted before repairs are performed.