

INSTALLATION PROCEDURES E-Z GLIDE LIGHT TRACK

MODELS:
014011, 014012

DISASSEMBLY OF TRACK ASSEMBLY BEFORE INSTALLATION

The track assembly is shipped fully assembled and must be disassembled prior to installation. Disassemble the track assembly in accordance with Figure 1.

NOTE: It is not necessary to remove base track extrusion (Item 2, Figure 1) from the plywood pallets (Item 1, Figure 1).
It is not necessary to disassemble trolley(s) (Item 4, Figure 1).

INSTALLATION

ELECTRICAL - Provide a 10 Amp, 115 VAC, 60 Hz supply line to track junction box (included in shipment).

STRUCTURAL - After selecting a site for the track installation, refer to Figure 2 thru 5 showing possible location of wood joists, or other ways to mount the track.

NOTE: Make certain to leave a minimum of 50 inches from the center line of the trolley to the existing walls to provide for freedom of lamp movement. The overall assembled length with endplates is 5' 10 1/2". The cord comes out of the rear of the track.

LEGEND

ITEM	DESCRIPTION	PART #	QTY
1	PLYWOOD PALLET 20" L x 3/4" H x 10" W	1001501	2
2	BASE TRACK EXTRUSION 70" L x 3/4" H x 7 3/4" W	1001500	1
3	SIDE PANEL	1001504	2
4	TROLLEY(S)	1000102	1(2)
5	DRESS COVER	1001503	2
6	END PLATE	1001502	2
7	STOP	1001076	4

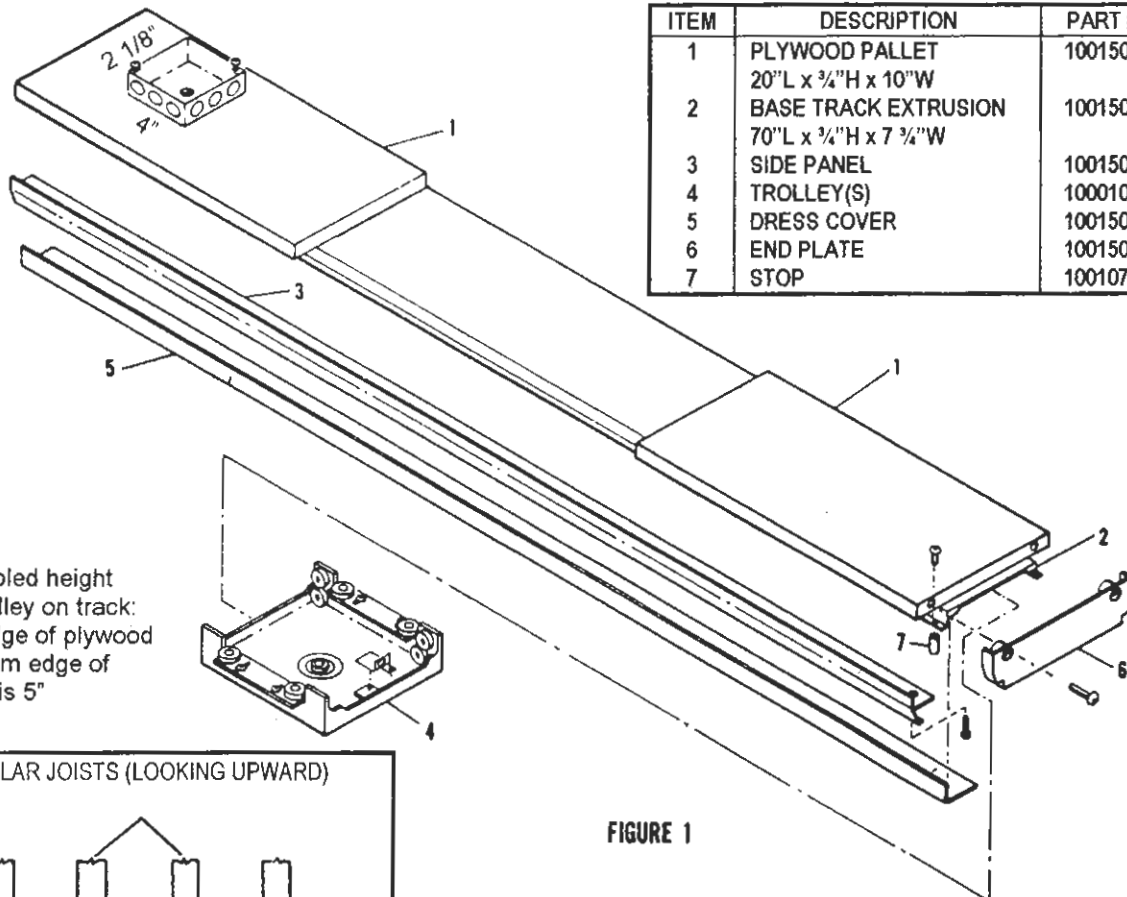
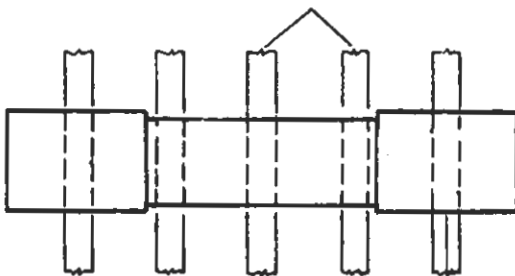


FIGURE 1

PERPENDICULAR JOISTS (LOOKING UPWARD)



This track is intended for use with Medical Illumination Medi-Lite and Medi-Spot Lights only. Any other use of this track is not recommended. Unauthorized use of this track could void the warranty. Call Medical Illumination, Inc. for further information.

FIGURE 2. MOUNTING PALLET TO PERPENDICULAR WOOD JOISTS

INSTALLATION PROCEDURE

a. Mount plywood pallets including base track extrusion, to a selected site with a minimum of four ¼ x 4 inch countersunk head lag screws, bolts or whatever is best suited to your application.

NOTE: Ensure that plywood pallets are level; shim as necessary.

b. Install two dress covers (Item 5, Figure 1) with three provided set screws each.

c. The ceiling rod, packed with light, must be assembled to the trolley as shown on Figure 8. Tighten set screws on trolley with the wrench provided. Run the trolley wire harness down through the ceiling rod.

d. Insert trolley (Item 4, Figure 1) onto the track of the base track extrusion with the power hook-up as shown in Figure 6. Connect the trolley wire harness to the power cord, taking care not to twist the power cord.

NOTE: Power cord should form a radius within the dress covers as trolley rolls along channel. Make sure the power cord lays flat inside the track and that the cord is not twisted during installation. A twisted cord will not move freely inside the track. If cord is twisted, loosen the clamp and rotate the cord until the cord lies flat inside the track. Make certain power cord is held securely in place with the clamp provided.

e. Ensure that the trolley rolls freely. If adjustment is necessary refer to Figure 7. Loosen adjustment screws and position side rollers against base track extrusion. Tighten screws.

f. Replace and tighten stops (Item 7, Figure 1).

g. Install side panel (Item 3, Figure 1) with the screws provided.

h. Attach end plate (Item 6, Figure 1) with the screws provided.

i. Attach selected light assembly to the track, per the instructions supplied with that light, not supplied with the track.

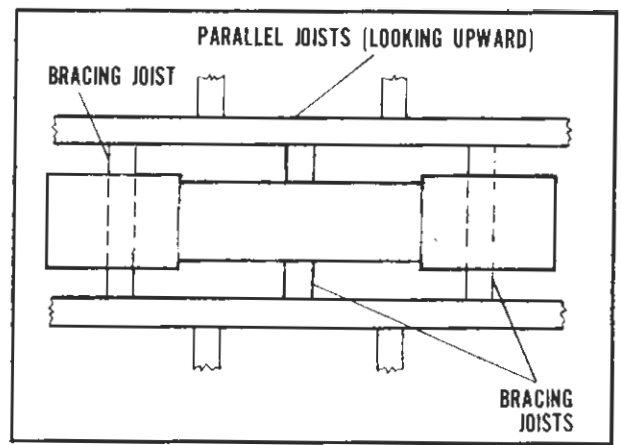


FIGURE 3. MOUNTING PALLET TO PARALLEL WOOD JOISTS

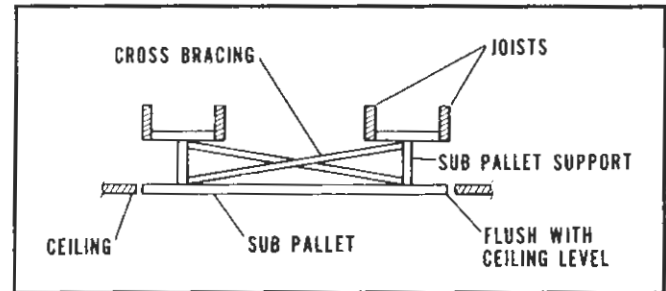


FIGURE 4. MOUNTING PALLET TO SUSPENDED CEILING

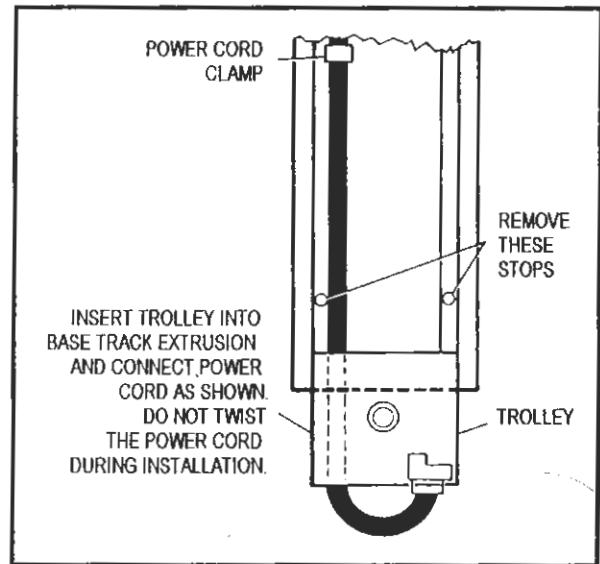


FIGURE 6. INSERTING TROLLEY AND CONNECTING POWER CORD

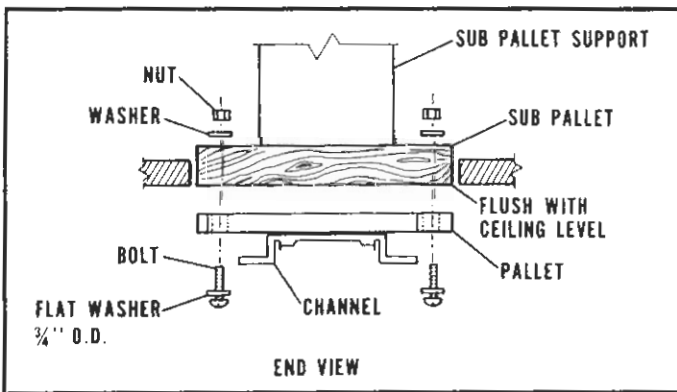


FIGURE 5. SUSPENDED CEILING WOOD BRACING DETAIL

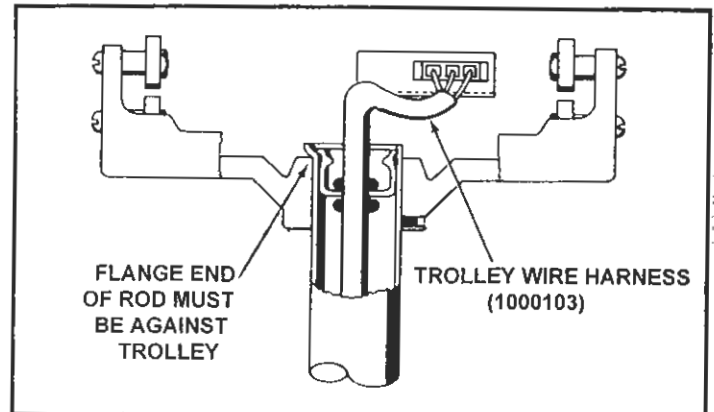
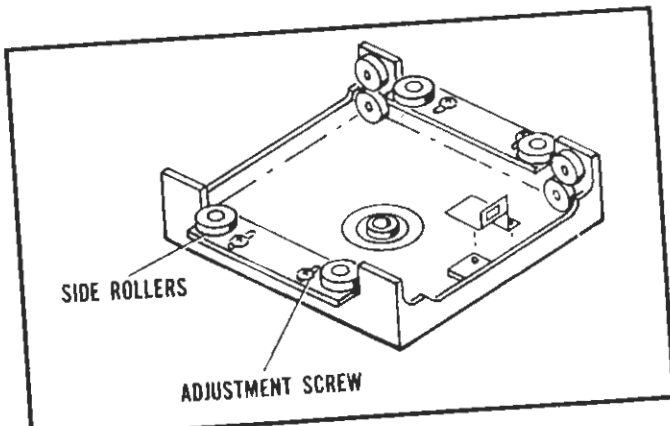


FIGURE 8. CEILING ROD ASSY. TO TROLLEY