

## VERSALITE GENERAL INSTRUCTIONS

### GENERAL INFORMATION

The shipping carton contains a Light Head Assembly, an Adjustable Upright Tube, a Fluorescent Lamp, and a Cast Iron Floor Base. Thoroughly check for all items when unpacking the shipping carton.

### ASSEMBLY

1. Screw larger end of Adjustable Upright Tube into the Cast Iron Floor Base. Once the initial threads are engaged, turn the base counter-clockwise to tighten.
2. Raise the Inner Tube by loosening (turning counter-clockwise) the Adjustment Nut. Screw the Inner Tube counter-clockwise into the Gooseneck. Tighten the Adjustment Nut to secure the Inner Tube.
3. Screw the Fluorescent Lamp into the Socket in the Light Head Assembly by holding the Ballast and turning clockwise. Be careful not to damage the Glass Tubes.

### OPERATION

Plug the Power Cord into an AC outlet. Locate the Switch on the Light Head Assembly. Press "I" to turn the Fluorescent Lamp on and "O" to turn it off.

### CAUTION

To avoid tipping, adjust the Inner Tube to its lowest position when transporting the VersaLite.

### CLEANING

Unplug the Power Cord from the AC outlet before cleaning the light. Use a clean, soft cloth with a mild soap and water mixture to clean all parts of the light. Do not use harsh cleaning agents.

### LAMP REPLACEMENT

#### CAUTION

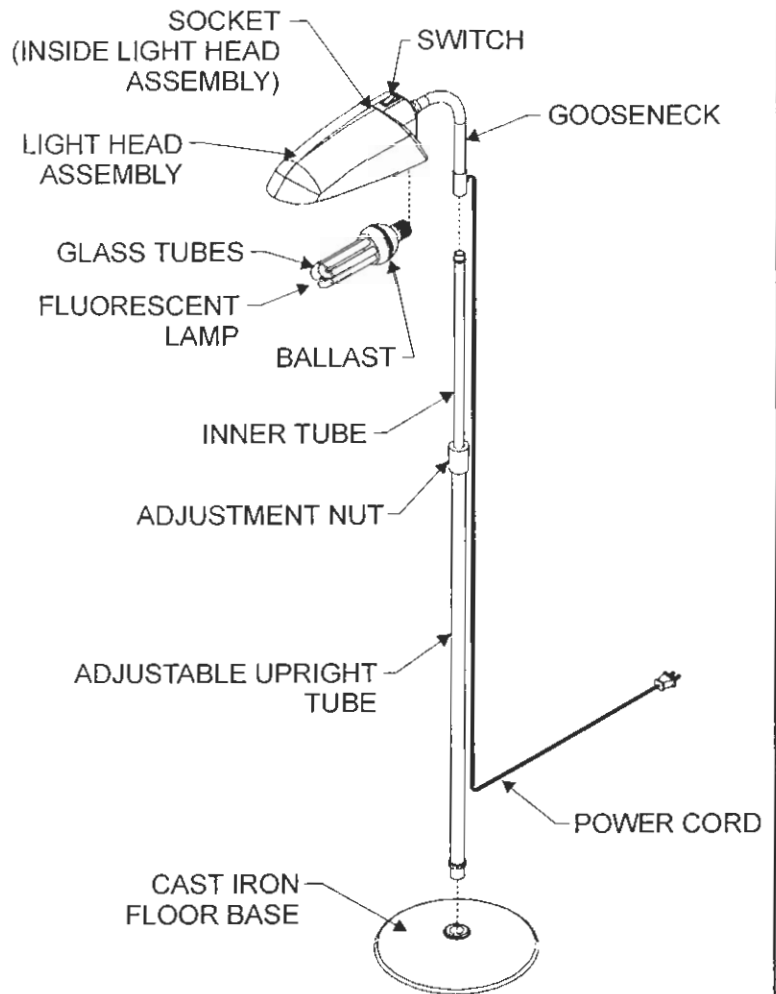
To reduce the risk of fire, use only compact fluorescent lamp with base type E26 or E27, 26 watt maximum.

Unplug the Power Cord from the AC outlet and allow the lamp to cool approximately 15 minutes. Hold the Ballast to screw and unscrew the Fluorescent Lamp. Be careful not to damage the Glass Tubes.

Use the following part numbers to order lamps:

120V Daylight Fluorescent Lamp - Part # 0001579

220V Daylight Fluorescent Lamp - Part # 0001599



# VERSALITE

## GENERAL INSTRUCTIONS

### FUSE REPLACEMENT

**Unplug the Power Cord from the AC outlet before replacing the fuse.** Unscrew the Socket Cover using a phillips screwdriver. Use a flat blade screwdriver to turn the fuse holder 1/4 turn counter-clockwise. Remove the spring loaded holder and replace the fuse using the table below.

MODEL	INPUT VOLTAGE	AMPERAGE RATING	SIZE	PART #
021616	115/120 VAC	1/2A, 250V Fast-Acting	1/4 x 1 1/4"	0001604
021646	230/240 VAC	1/2A, 250V Quick-Acting	5 x 20 mm	0001605

### CAUTION

To reduce the risk of fire, replace the fuse only with the same type and electrical rating as indicated above or on the fuse replacement label. Do not use the light should it continue to blow fuses. Contact the factory immediately.

### PLUG REPLACEMENT (MODEL 021646)

Remove the original plug from the power cord. Strip the cord jacket approximately 25 mm and the inner conductor jacket 5 mm. Open the rewirable plug, slide the cord through the clamp, insert the blue conductor into the neutral slot, insert the brown conductor into the slot for line voltage, and fasten with the included screws. Tighten the clamp and reassemble the rewirable plug.

### EXPLANATION OF SYMBOLS

#### SYMBOL

#### DESCRIPTION



MEDICAL ELECTRICAL EQUIPMENT WITH RESPECT TO ELECTRIC SHOCK, FIRE AND MECHANICAL HAZARDS ONLY IN ACCORDANCE WITH UL 2601-1/CAN/CSA C22.2 NO.601.1-M90 54KK.



This equipment is CLASS II EQUIPMENT. It protects against electric shock and does not rely on basic insulation only. Additional precautions such as double insulation or reinforced insulation are provided. There is no provision for protective earthing or reliance upon installation conditions.



Attention, consult accompanying documents.



This equipment operates with alternating current.